



**Ø 100-125mm Disc**

**Type:** All grinders

**Applications:** Grinding of weld joints, sheet metal, castings, concrete

**Suction requirement:** 200m<sup>3</sup>/h

**Vacuum hose:** ø 32mm

**Attachment kit Art. No:** 40403210

**Accessories:**

**Hose kit Art. No:** 40273250



## Ø 125mm Depressed centre wheel

**Type:** Walter 6150 G

**Applications:** Grinding of weld joints, sheet metal, castings, concrete etc

**Suction requirement:** 250 m<sup>3</sup>/h      **Vacuum hose:** ø 38mm

**Attachment kit Art. No:** 40409072

**Parts in attachment kit:** 40312210 Manifold incl screws  
40272643 Steel wheel guard  
40250020 Push fit hood  
40272710 Spacer 15mm  
40272210 Flange nut 5/8" High 21mm

**Accessories:** 40990271 Pin wrench

**Hose kit Art. no:** 40273260



## Ø 125 mm Fibre disc

**Type:** Walter 6150 G

**Applications:** Grinding and sanding of metal, plastics, wood etc

**Suction requirement:** 250m<sup>3</sup>/h

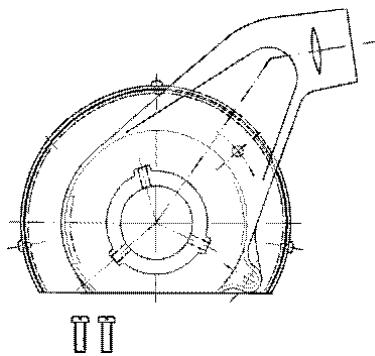
**Vacuum hose:** ø 38mm

**Attachment kit Art. No:** 40409073

**Parts in attachment kit:** 40312210 Manifold incl screws  
40265020 Push fit hood with brush  
40272710 Spacer 15mm  
40271050 Backing up pad  
40272681 Flange nut 5/8" high 25mm

**Accessories:** 40990271 Pin wrench

**Hose kit Art. No:** 40273260



Fit the gable using 2 pcs of M5x16 slotted screw, then cut the aluminium cap along the gable with a hacksaw.

## Ø 125mm Cutting wheel

**Type:** Walter 6150 G

**Applications:** Cutting of reinforced plastics (GRP) cutting depth 30mm

**Suction requirement:** 250m<sup>3</sup>/h                      **Vacuum hose:** ø 38mm

**Attachment kit Art. No:** 40409074

**Parts in attachment kit:** 40312210 Manifold incl screws  
40273230 Gable cover 125  
40272710 Spacer 15mm  
40272200 Flange nut 5/8" h16

**Accessories:** 40990271 Pin wrench  
40507461 Diamond blade 125mm

**Hose kit Art. No:** 40273260



## Ø 125mm Diamond cup wheel

**Type:** Walter 6150 G

**Applications:** Grinding of castings and concrete

**Suction requirement:** 250m<sup>3</sup>/h

**Vacuum hose:** ø 38mm

**Attachment kit Art. No:** 40409321

**Parts in attachment kit:**

- 40312210 Manifold incl screws
- 40265025 Push fit hood with brush incl cover
- 40278012 Handle
- 40272720 Spacer 12,5
- 40272670 Flange nut 5/8" H13
- 40990271 Pin key
- xxxxxxx 40160202 Hose FS 38 L 0,5m
- 40151050 M40-38P Hose coupler
- 40151020 F40-50P Hose coupler

**Accessories:** 40990271 Pin wrench

**Hose kit Art. No:** 40273260