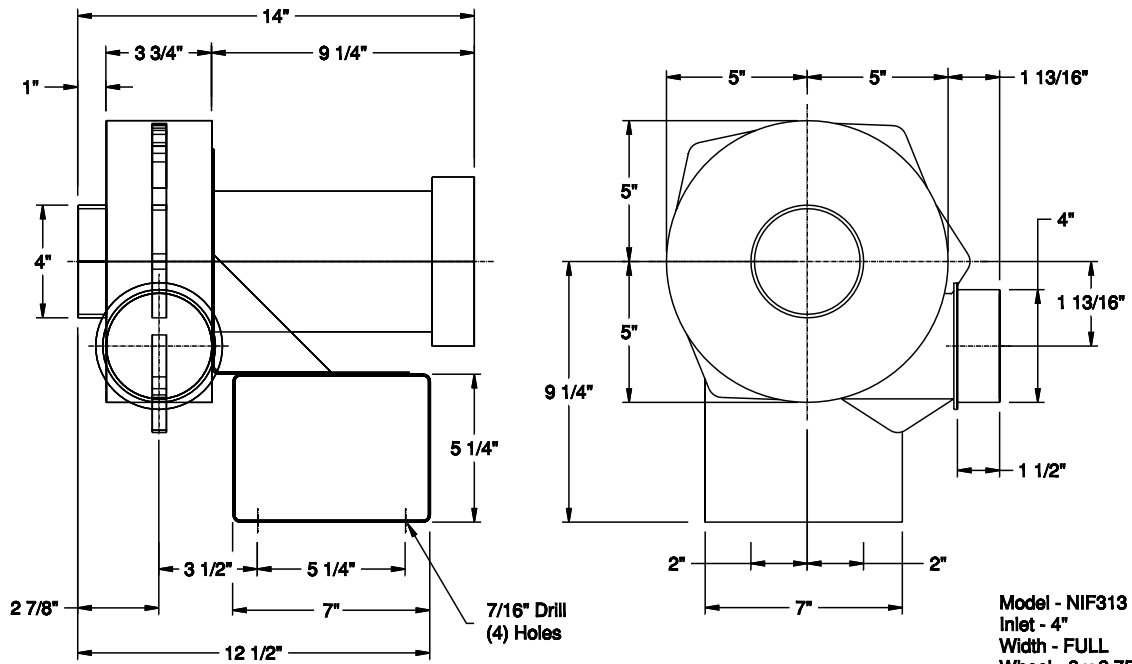


Technical Description

NIF 313 Fan

Part No. NIF 313-1(Single Phase)
NIF 313-3 (Three Phase)



Model - NIF313
Inlet - 4"
Width - FULL
Wheel - 8 x 2.75
RPM - 2891
BHP - 0.17
%SE - 37.1

SP ("H₂O)

