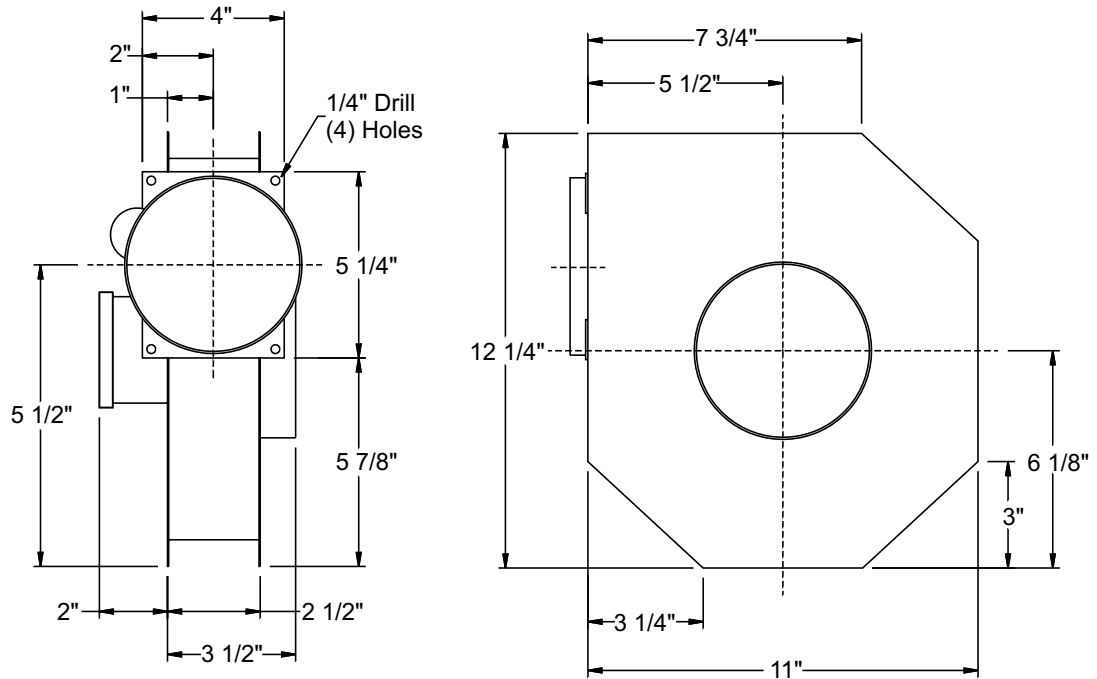


# Technical Description

## Mini Extractor Fan

Part No 70800334 (w/speed control)  
70332961



Model - 70332961  
Connection Diameter - 5" (Inlet and Outlet)  
Air Capacity - 175 cfm (Free Blowing)  
Motor - 120V  
Single Phase: 1/5 h.p.  
Weight - 9 lbs.

**IN W.G.**

