

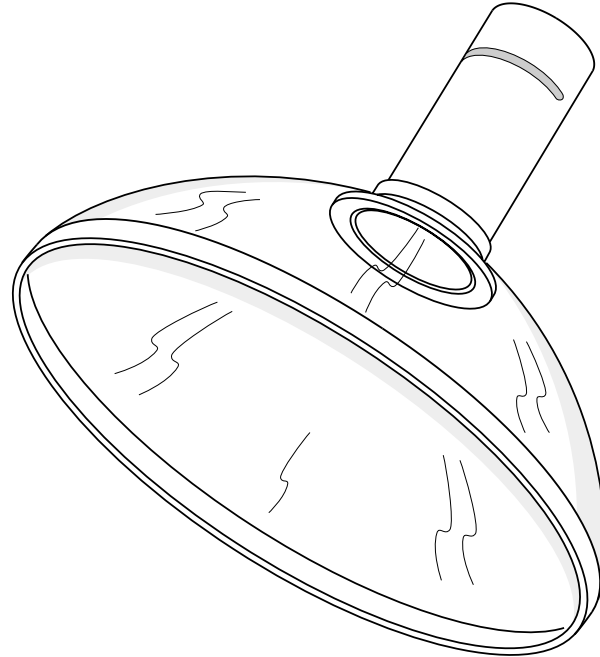
# Technical Description

## FX Arm Dome Hood - 2"

Part No. 70371634

### Dome Hood

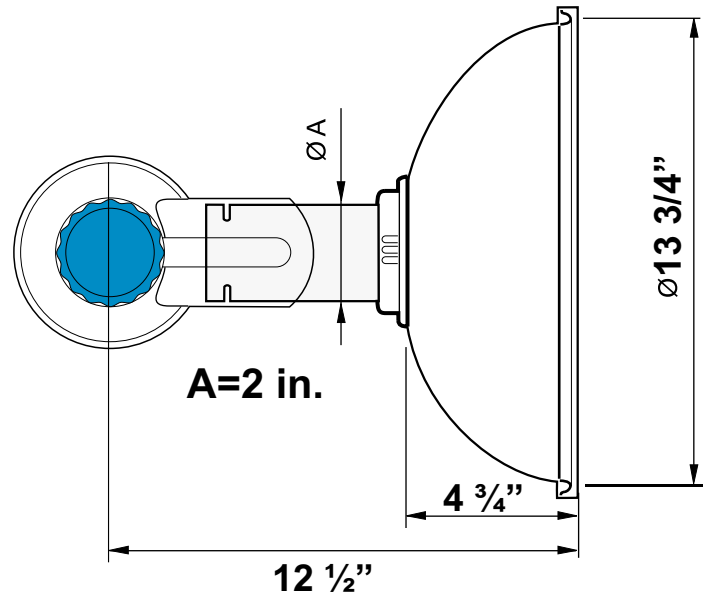
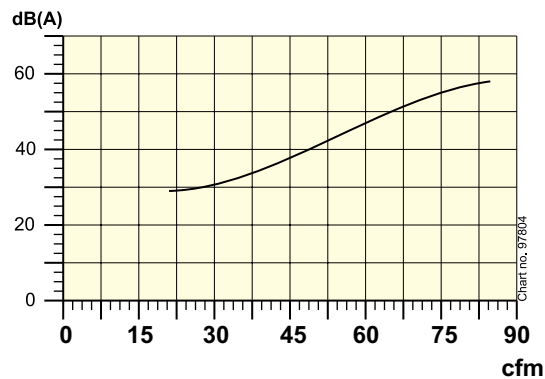
Made of transparent plastic. Swivels 30 degrees in both directions where it is connected in the arm. To be used for light fumes and gases and open vessels.



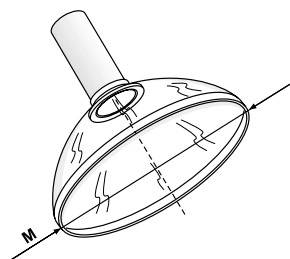
FACTS	
<b>Material</b>	
Transparent Dome hood	Acrylic, high impact (PMMA, HIP)
Connection tube	Aluminum (SS4007)
Hood connection	Polyamide (PA)
<b>Surface treatment</b>	
Tube	Anodized
<b>Air Temperature</b>	5 - 195 degrees F

### SOUND LEVEL

Distance to measuring point = 3 feet



### Air Velocity (ft/m)



M (measuring line): 13 3/4 in.

