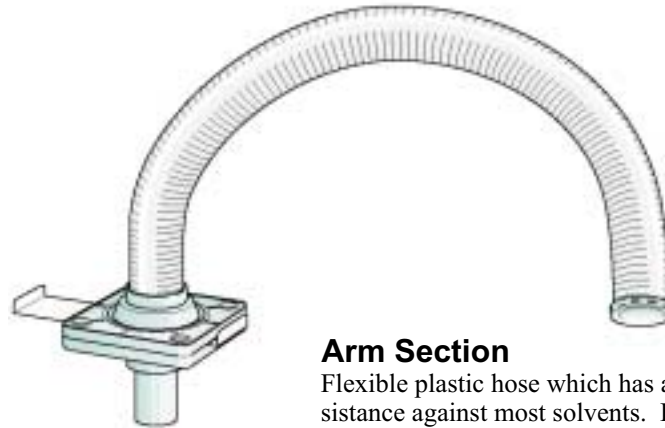


# Technical Description

## Series FX 32 Arm - Standard

Part No. 70502834



### Arm Section

Flexible plastic hose which has a high degree of resistance against most solvents. Holds its position when adjusted.

### Swivel

Swivel with 360 degree rotation. This means, connected ductwork remains stationary and does not rotate with the arm.

### Accessories

Extraction hood, Clear dome hood, Flange hood, Light kit, Mounting Brackets

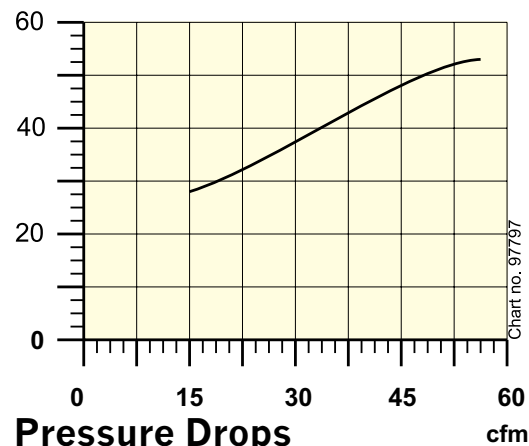
### Mounting

Mounting directly into the benchtop or using optional mounting brackets. Can be mounted both standing and hanging.

### Sound Level

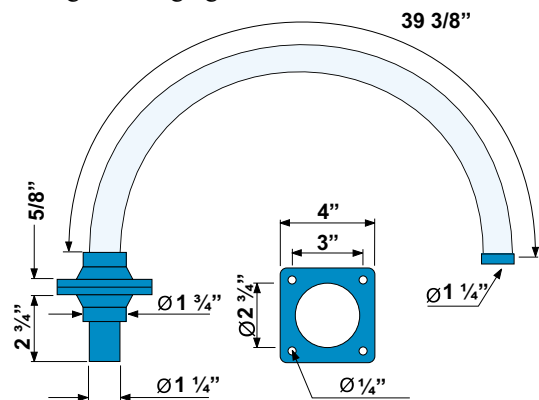
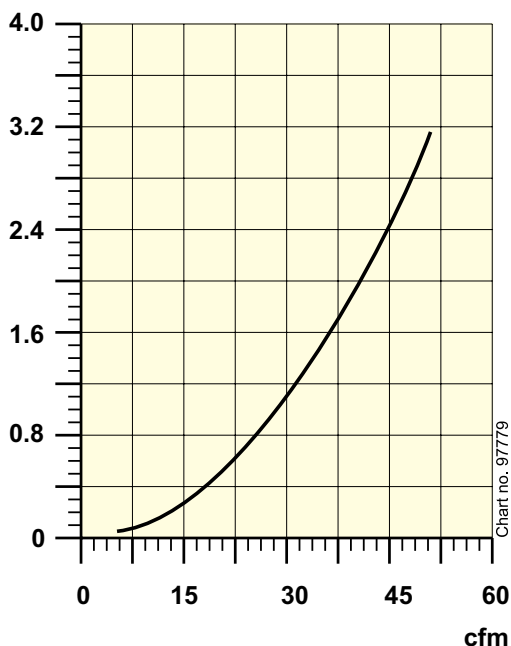
Distance to measuring point = 3 ft.

dB(A)



### Pressure Drops

in. W.G.



FACTS	
<b>Material</b>	
Arm section	ABS
Damper	Stainless steel
Washer, Bolt	Steel
Swivel plate	ABS
Swivel connections	Polyamide
Nozzle	Acetal
<b>Surface treatment</b>	
Washer, Bolt, Spring	Electrolytic galvanizing
<b>Air Temperature</b>	5 - 195 degrees F