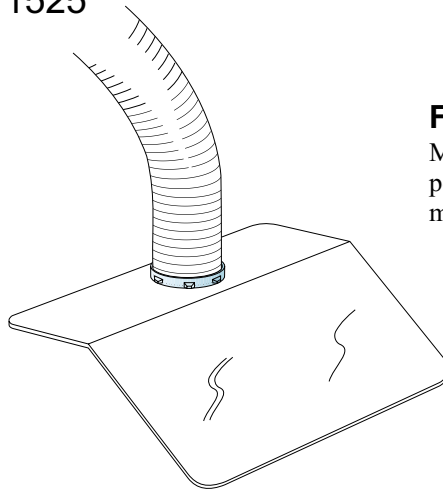


# Technical Description

## Series FX 32 Arm- Clear Flange Hood

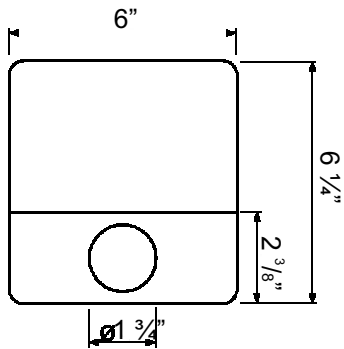
Part No. 70371525



### Flange Hood

Made of transparent plastic. To be used over the pollution source or placed on a flat surface to obtain maximum extraction efficiency.

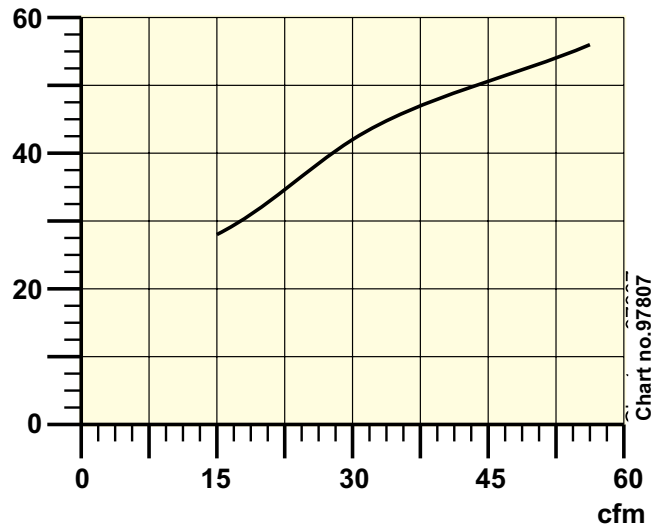
FACTS	
Material	Polycarbonate (PC)
Air Temperature	5 - 176 degrees F



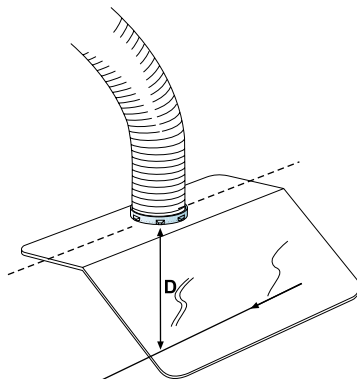
### SOUND LEVEL

Distance to measuring point = 3 ft.

dB(A)



### Air Velocity (ft/m)



D (distance to measuring point): 1 3/4 in.  
M (measuring line): 6 1/4 in.

